

Customer's name :

Specification No. : Ref.CE-P678 03/10

Specifications sheet for approval

Product name : L250-LENS15

Parts No. : 516-A00070

Page No.

page	item	drawing No.
1	Drawing	AL2-033-03
2	Packing specification	
3	Physical properties	

Approval Signature

CITIZEN ELECTRONICS CO.,LTD

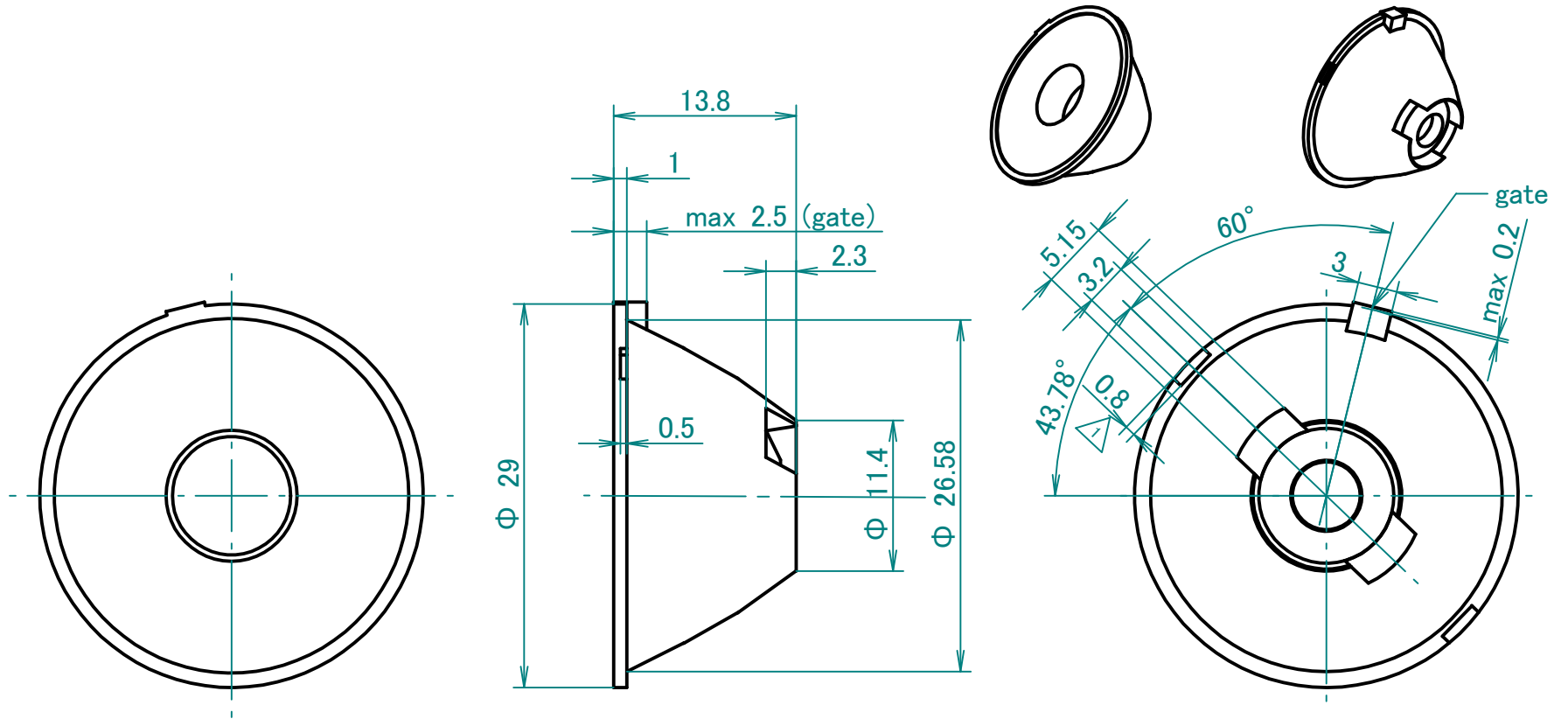
1-23-1,Kami-Kurechi,Fujiyoshida-shi,
Yamanashi-Ken 403-0001,JAPAN

Tel : (0555)23-4121

Fax : (0555)24-2426

Sales department				
Approved	Checked		Drawn	

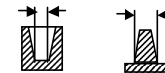
GQP-0013-F03-3
(SGP-0013-F05-0)



LIMITS UNLESS OTHERWISE NOTE				
		★		
$L \leq 6$	± 0.05	± 0.1	± 0.2	± 0.3
$6 < L \leq 18$	± 0.08	± 0.2	± 0.3	± 0.5
$18 < L \leq 50$	± 0.1	± 0.3	± 0.5	± 1.0
$50 < L \leq 120$	± 0.18	± 0.45	± 0.8	± 1.5
$120 < L \leq 400$	± 0.28	± 0.7	± 1.2	± 2.0
Angle	$\pm 1^\circ$			

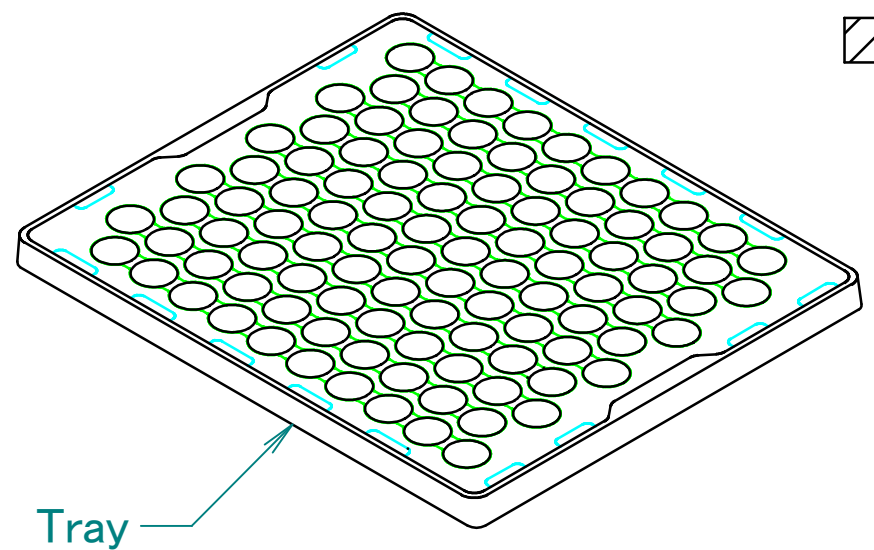
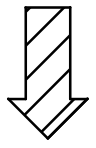
Remarks

- 1 This drawing for Citizen Electronics Co., LTD. : CL-L250 series only
- 2 Material: PC
- 3 The angle R without directions is set to 0.2.
- 4 No scratches, stain, etc allows.
- 6 Dimension is based on as follows.



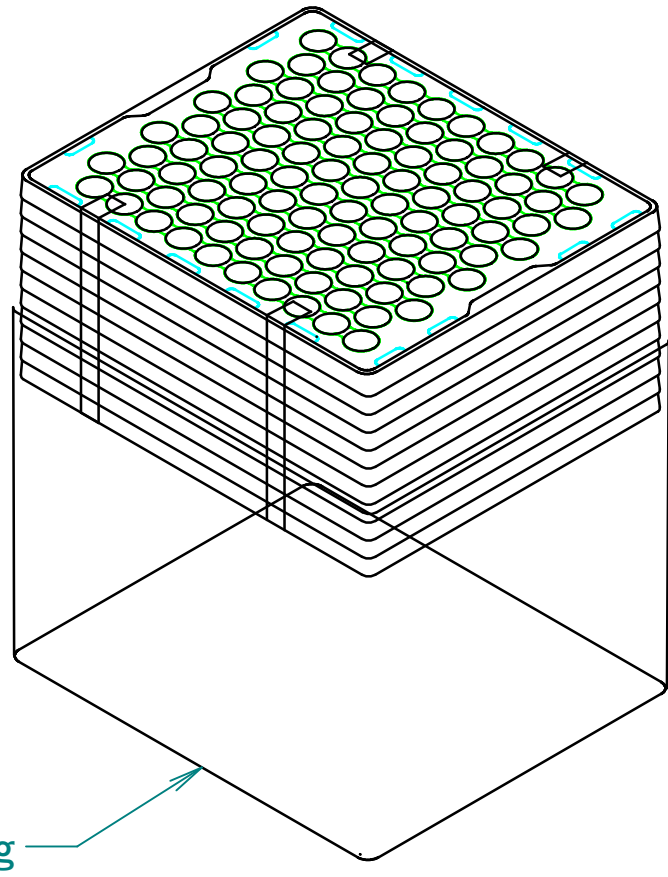
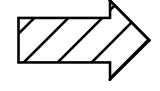
<div style="display: flex; flex-direction: column; gap: 5px;"> <div style="border: 1px solid black; padding: 2px;">6</div> <div style="border: 1px solid black; padding: 2px;">5</div> <div style="border: 1px solid black; padding: 2px;">4</div> <div style="border: 1px solid black; padding: 2px;">3</div> <div style="border: 1px solid black; padding: 2px;">2</div> <div style="border: 1px solid black; padding: 2px;">1</div> </div>			General tolerances	Symbol	L250-LENS15		
			Dimensions	refer leftward table	Name	Lens	
			Angles	refer leftward table	Part No.	516-A00070	
			Alternation		Drawin No.	AL2-033-03	
			Drawn	K.Matsuyama	Date	2009.07.14	
		10.01.13	Checked	K.Sasuga	CITIZEN ELECTRONICS Co.,Ltd		
	09.12.03	Approved	K.Funakubo				
Mark	Date	Description	Scale 2 / 1	Unit mm			

This drawing is the property of Citizen Electronics Co.,LTD. and should not be disclosed to any third party without prior permission of Citizen Electronics Co.,LTD.

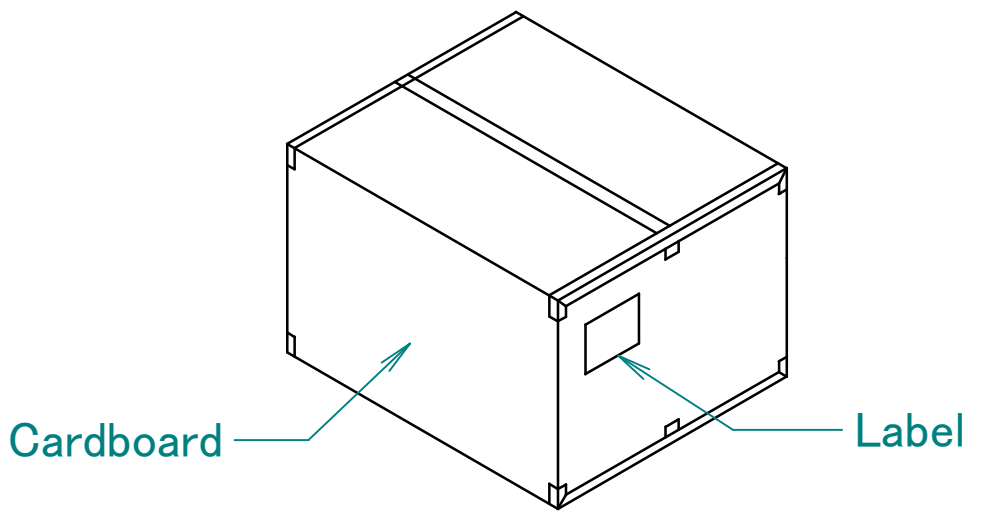
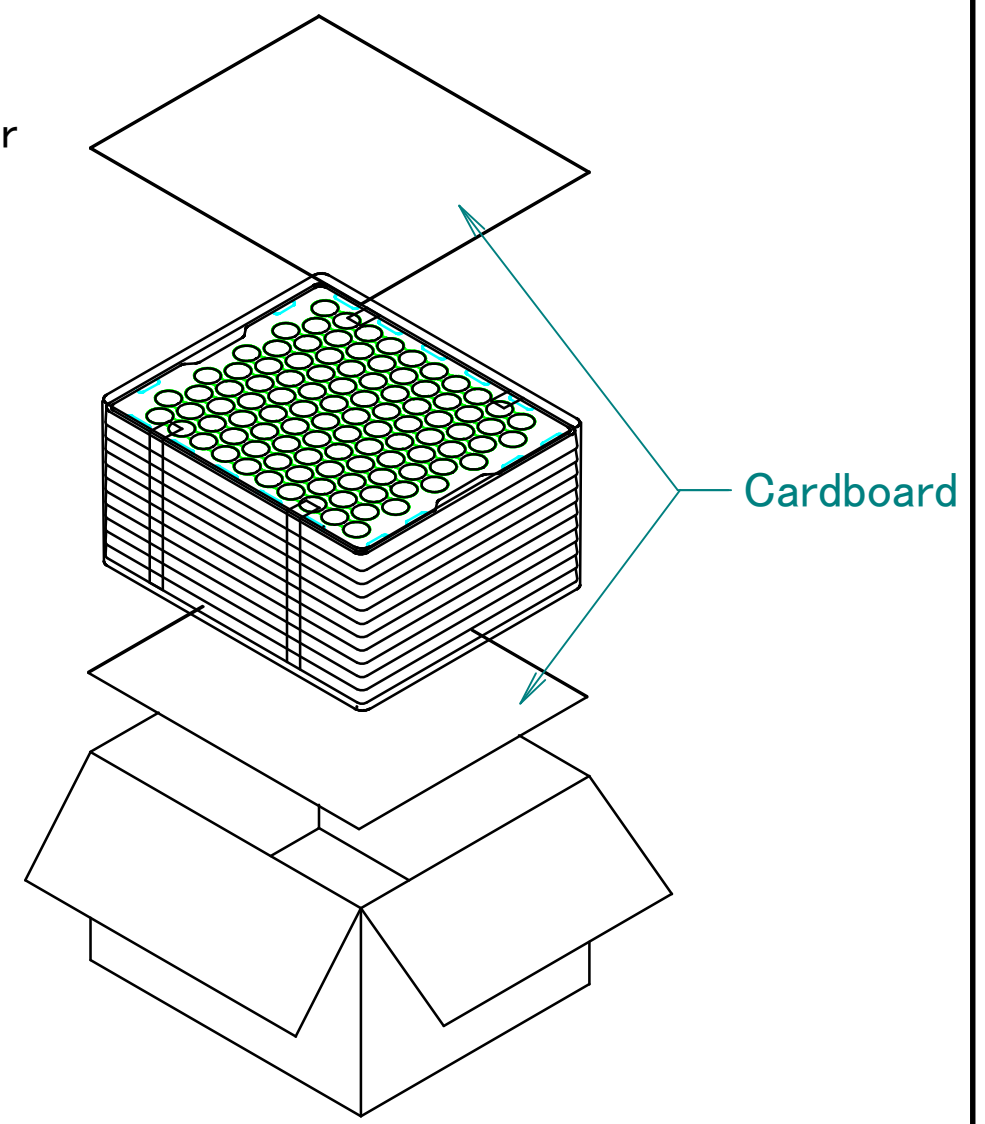
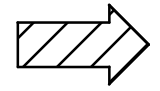


100pcs./tray

stack 10 tray (Max) + empty tray as top cover



Max 1000pcs./bag



Label	
CITIZEN ELECTRONICS CO., LTD.	
Part Name	L250-LENS15
Part No.	516-A00070
Lot No.	
Quantity	
Date	QC

arbitrary size

△			General tolerances		Symbol	L250-LENS15	
△			Dimensions		Name	packing specification	
△			Angles		Part No.		
△			Alternation		Drawin No.		
△			Drawn	K.Matsuyama	Date	2010/01/13	
△			Checked	K.Sasuga			
△			Approved	K.Funakubo			
Mark	Date	Description	Appro.	Scale	free /	Unit	mm

CITIZEN ELECTRONICS Co.,ltd

PHYSICAL PROPERTIES

Property	Test Method	Condition	Unit	
Optical				
Light transmission	ASTM D 1003	3mm	%	88
Reflective Index	ASTM D 542	-	-	1.585
Mechanical				
Tensile modulus	ISO 527-1 and ISO 527-2	1mm/min	MPa	2400
Tensile strength at yield		50mm/min	MPa	62
Tensile strain at yield		50mm/min	%	6
Nominal tensile strain at break		50mm/min	%	>50
Flexural modulus	ISO 178	2mm/min	MPa	2400
Flexural strength	ISO 178	2mm/min	MPa	94
Charpy impact strength	ISO 179	unnotched	kJ/m ²	NB
	ISO 179	notched	kJ/m ²	58
Rockwell hardness	ISO 2039-2	M scale	-	77
Thermal				
Heat deflection temperature	ISO 75-1 and ISO 75-2	1.8MPa	°C	125
		0.45MPa	°C	138
Vicat softening point	ISO 306	50°C/h 50N	°C	142
Melt volume flow rate	ISO 1133	300°C load 1.2kg	cm ³ /10min	24
Coefficient of linear expansion	ISO 11359-2	parallel	x10 ⁻⁴ /k	0.7
		vertical	x10 ⁻⁴ /k	0.7
Electrical				
Surface resistivity	IEC 60093	-	Ω	>10 ¹⁵
Volume resistivity	IEC 60093	-	Ω m	>10 ¹³
Withstand voltage	IEC 60243-1	short time test	MV/m	30
Specific Inductive capacity	IEC 60250	100Hz	-	3.1
		1MHz	-	3
Dielectric loss tangent	IEC 60250	100Hz	x10 ⁻⁴	10
		1MHz	x10 ⁻⁴	90
Tracking resistance	IEC 60112	-	-	225
Other				
Density	ISO 1183	-	kg/m ³	1200
Water absorption at 23°C	ISO 62	In water 24h	%	0.2
Flammability	UL94	-	class	HB

*Values reported are typical and should not be used for specification purpose.